

Product Description

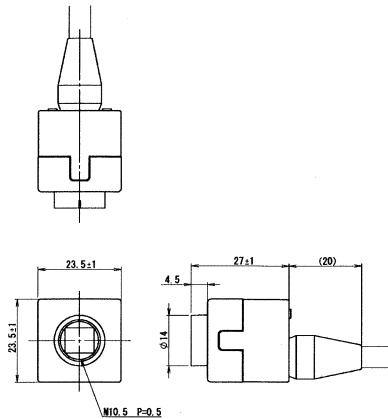
Model CS8581QF is a CCD camera developed specifically for FA and image measurement. High-speed image processing is available by a random access. The video output interface of CS8581QF conforms to the serial digital bus standard IEEE1394b.

Features

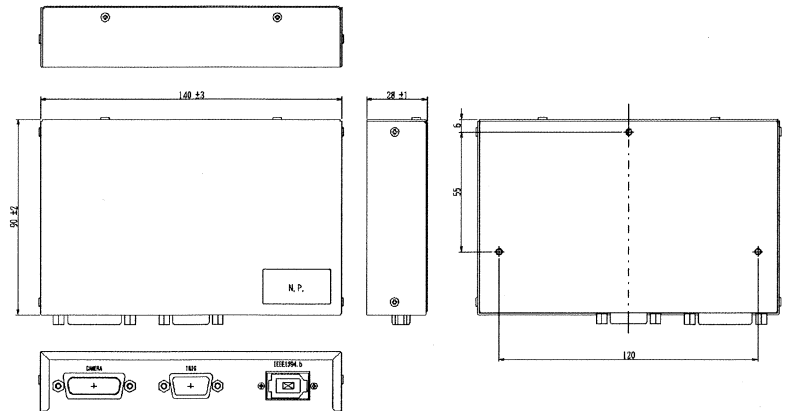
- This model can read out image-data in 1/132 sec.
- All pixel's data readout
- Square grid pattern CCD
- IEEE1394b video output
- Random trigger shutter function
- PC control

External - View Drawing

Camera head external - view drawing



CCU external - view drawing



Specifications

Image sensor	All pixel's data read-out interline CCD	Random trigger shutter	RTS operation is available via external trigger input.
Active pixels	640 (H) × 480 (V)	Mode0	Shutter speed preset (depends on the electronic shutter setting)
Unit cell size	7.4 (H) × 7.4 (V) [μm]	Mode1	Shutter speed pulse width control is available.
Image size	1/3 type optical format (Diagonal: 5.92 [mm])	External dimension	Camera head: 23.5 × 23.5 × 27 [mm] CCU: 140 × 28 × 90 [mm]
Driving frequency	49.152 [MHz]	Weight	Camera head: Approx. 25 [g] (Excluding Camera cable) CCU: TBD [g]
Scanning system	Progressive	Power consumption	TBD
Sync system	Internal	Performance guaranteed	Temperature: From 0 through +40°C Humidity: From 30 through 90% (No condensing)
Aspect ratio	4:3	Operation guaranteed	Temperature: From -5 through +45°C Humidity: From 30 through 90% (No condensing)
Interface	Conforms to IEEE std. 1394b-2002	External dimension	Camera head: 23.5 × 23.5 × 27 [mm] CCU: 140 × 28 × 90 [mm]
Transfer speed	800Mbps	Weight	Camera head: Approx. 25 [g] (Excluding Camera cable) CCU: TBD [g]
Video format	Format_7 132fps 640 × 480 Mono 8bit	Power source	DC12V +/- 10% (IEEE1394b cable load)
Protocol	Conforms to 1394-based Digital Camera Specification Ver.1.31	Power consumption	TBD
Illumination	Subject: 950lx F5.6 Minimum: 9.5lx F1.4	Performance guaranteed	Temperature: From 0 through +40°C Humidity: From 30 through 90% (No condensing)
Gamma correction	Gamma = 1.0 (Fixed)	Operation guaranteed	Temperature: From -5 through +45°C Humidity: From 30 through 90% (No condensing)
Gain	From 0 through +12dB Gain control via IEEE1394b	External dimension	Camera head: 23.5 × 23.5 × 27 [mm] CCU: 140 × 28 × 90 [mm]
Electronic shutter	Shutter speed selection via IEEE1394b	Weight	Camera head: Approx. 25 [g] (Excluding Camera cable) CCU: TBD [g]
Trigger input	TTL level	Power source	DC12V +/- 10% (IEEE1394b cable load)



Since the contents indicated by these data may be changed without a preliminary announcement, please approve beforehand.

