



Outline

See the difference megapixel resolution makes!

Lumenera's Le175 series of megapixel cameras are designed for general and high-end security applications.

Streaming full 1280x1024 resolution at 25 fps, these cameras deliver outstanding picture quality and performance. JPEG and MJPEG compressed images in live streaming video and still-image capture are provided across a standard 10/100BaseT network interface.

Lumenera has simplified IP camera installation with a straightforward plug-and-play process. Intuitive user interface viewed with most browsers provides standard camera control.

Our I/O connector provides an interface to an external alarm sensor or control of peripheral equipment such as; IR lighting, DC iris and PTZ. Alarm notification provides the date, time and camera IP address. Optional Audio/Video module provides two-way VOIP audio to the camera, as well as NTSC output directly to a monitor.

Utilizing programmable day/night settings, once low light levels are detected, the camera automatically switches to black and white mode. These sensors are highly receptive to IR light upon removal of the IR filter. The user defined motion and detection parameters across multiple zones, provide more accurate triggering of alarms, while flip and mirror image modes afford quick set-up in any installation.

The on-board memory buffer supplies still images that preceded and those following the alarm events. Transfer of images via email may be in, FTP, RTP or HTTP format.

Model Le175 is very compact, contained in an all-metal housing and can be mounted stand-alone or by means of standard environmental enclosures. Call for your personal enclosure options today.

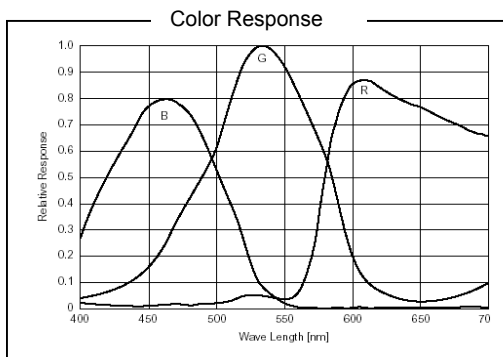
Features

- Easy installation and set-up
- 960 lines of resolution, color or monochrome, progressive scan, 1.3 Megapixel sensor
- 30 fps at full 1280 x 960 (SXGA) resolution
100 fps at 640 x 480 (VGA) resolution
400 fps at 320 x 240 (CIF) resolution
- Feature rich camera functions:
 - Auto White Balance & Auto Exposure
 - Day/Night Mode
 - Configurable Compression Ratio
 - Multiple motion detection zones
- I/O control of alarms, DC iris, PTZ, lighting or other peripherals
- Image transfer via HTTP, FTP, RTP, or Email
- Camera Control via HTTP, XML-RPC, Telnet or Microsoft COM
- Security / Password Protection
- FCC Class B, CE Certified
- CS lens mount provided standard, C-mount adapter available
- Compatible with most Operating Systems (Windows™ 98 SE, Windows Me, Windows 2K, Windows NT and Windows XP, as well as Linux and Mac)
- Full 1 year warranty

Specifications

Le175

Image Sensor	1/2" format, color or mono, 7.7mm x 6.1mm array
Effective Pixels	1280 x 1024, 6.0um square pixels
Frame Rate	30 fps at 1280x960, 100 fps at 640x480
Dynamic Range	55dB
Sensitivity	1.2 lux at F 1.0
Auto Exposure	Automatic / Manual
White Balance	Automatic / Manual
Dimensions (W x H x D)	1.9" x 2.25" x 5.0" (not including lens)
Mass	~300g
Power Requirement	9-24V AC or DC
Power Consumption	<4 Watts
Operating Temperature	-10° C to +50° C (environmental enclosure will provide extended temperatures with fan / heater)
Operating Humidity	20%-80%, Non-condensing
Interface Connector	RJ45 twisted pair cable, 10/100baseT Ethernet
Lens Mount	Adjustable CS-Mount (lens not included)
Image Buffer	48 MB (up to 480 full res images)

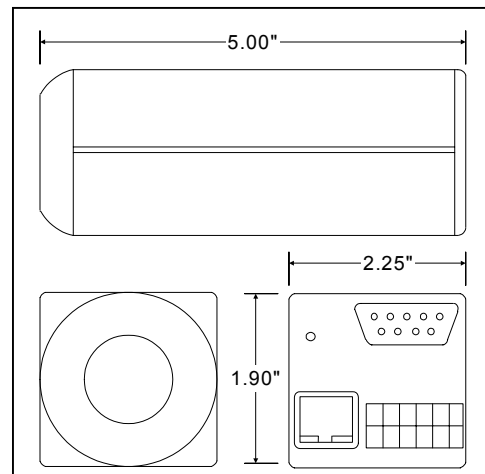


Recommended PC Specifications

O/S: Windows 2000 (SP 3), or XP (SP 1)
CPU: 2.8GHz or above Pentium computer
(required for full frame rate preview)

600Mhz or above Pentium compatible
computer (for basic functionality)

Network: 100 Mbps Ethernet LAN
Browser: Internet Explorer v6.0



Ordering Information

Le175C	– CCTV Color Camera
Le175M	– CCTV Monochrome Camera
Le175C-AV	– CCTV Color Camera with optional Audio/Video Module (May 2004)