



## Outline

### **See the difference multi-megapixel resolution makes!**

Lumenera's Le375 series of megapixel cameras are designed for general and high-end security applications.

Streaming full 2048x1536 resolution at 10 fps, these cameras deliver outstanding picture quality and performance. Adjustable JPEG and MJPEG compressed images in live streaming video and still-image capture are provided across a standard 10/10BaseT network interface.

Lumenera has simplified IP camera installation with a simple plug-and-play process. Intuitive user interface viewed with most browsers provides standard camera control.

Our I/O connector provides an interface to an external alarm sensor or control of peripheral equipment such as; IR lighting, DC iris and PTZ. Alarm notification provides the date, time and camera IP address. Optional Audio/Video module provides two-way VOIP audio to the camera, as well as NTSC output directly to the monitor.

Utilizing programmable day/night settings, once low light levels are detected, the camera automatically switches to black and white mode. These sensors are highly receptive to IR light upon removal of the IR filter. The user defined motion and detection parameters across multiple zones, provide more accurate triggering of alarms, while flip and mirror image modes afford quick set-up in any installation.

The on-board memory buffer supplies still images that preceded and those following the alarm events. Transfer of images via email may be in, FTP, RTP or HTTP format.

Model Le175 is very compact, contained in an all-metal housing and can be mounted stand-alone or by means of standard environmental enclosures. Call for your personal enclosure options today.

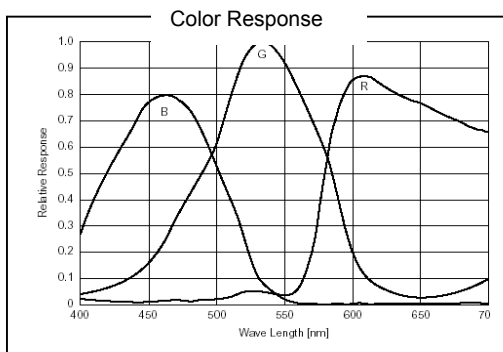
## Features

- Easy installation and set-up
- 1500 lines of resolution, color, progressive scan, 3.1 Megapixel sensor
- 10 fps at full 2048 x 1536 resolution  
40 fps at 1024 x 768 (XGA) resolution  
400 fps at 320 x 240 (CIF) resolution
- Feature rich camera functions:
  - Auto White Balance & Auto Exposure
  - Day/Night Mode
  - Configurable Compression Ratio
  - Multiple motion detection zones
- I/O control of alarms, DC iris, PTZ, lighting or other peripherals
- Image transfer via HTTP, FTP, RTP, or Email
- Camera Control via HTTP, XML-RPC, Telnet or Microsoft COM
- Security / Password Protection
- FCC Class B, CE Certified
- CS lens mount provided standard, C-mount adapter available
- Compatible with most Operating Systems (Windows™ 98 SE, Windows Me, Windows 2K, Windows NT and Windows XP, as well as Linux and Mac)
- Full 1 year warranty

# Specifications

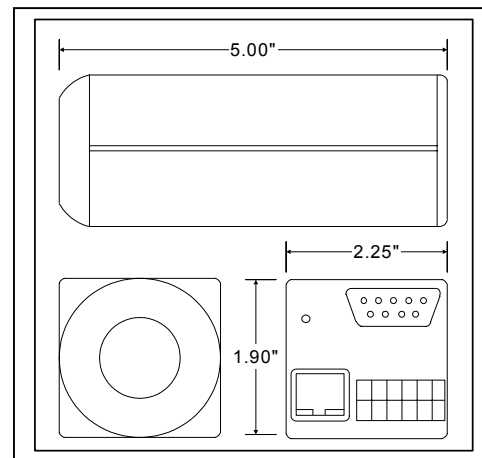
# Le375

Image Sensor	<b>1/2" format, color, 7.7mm x 6.1mm array</b>
Effective Pixels	<b>2048 x 1536, 4.0um square pixels</b>
Frame Rate	<b>10 fps at 2048x1536, 40 fps at 1024x768</b>
Dynamic Range	<b>55dB</b>
Sensitivity	<b>1.6 lux at F1.0</b>
Auto Exposure	<b>Automatic / Manual</b>
White Balance	<b>Automatic / Manual</b>
Dimensions (W x H x D)	<b>1.9" x 2.5" x 5.0" (not including lens)</b>
Mass	<b>~400g</b>
Power Requirement	<b>9-24V AC or DC</b>
Power Consumption	<b>2-4Watts</b>
Operating Temperature	<b>0° C to +50° C (environmental enclosure will provide extended temperatures with fan / heater)</b>
Operating Humidity	<b>20%-80%, Non-condensing</b>
Interface Connector	<b>RJ45 twisted pair cable, 10/100baseT Ethernet</b>
Lens Mount	<b>Adjustable CS-Mount (lens not included)</b>
Image Buffer	<b>48 MB (up to 240 full res images)</b>



## Recommended PC Specifications

O/S: Windows 2000 (SP 3), or XP (SP 1)  
CPU: 2.8GHz or above Pentium computer (required for full frame rate preview)  
  
600Mhz or above Pentium compatible computer (for basic functionality)  
  
Network: 100 Mbps Ethernet LAN  
Browser: Internet Explorer v6.0



## Ordering Information

Le375C – CCTV Color Camera (June 2004)

Le375C-AV – CCTV Color Camera with optional Audio/Video Module (June 2004)