

NERLITE®

R-60-2 "V2" Series Ring Illuminators

R-60-2 "V2" Series Ring Illuminators feature 48 LEDs in a dual ring configuration. Building on the design of our original Ring Illuminators, these new models offer enhancements to mounting and accessory installation that make them class leaders in application versatility. New lens adapter options permit direct mounting to lens filter threads. A wide selection of model choices... diffused, non-diffused, or focused - red or white spectrums - 12 or 24 volt power - continuous or strobed ... assures broad application coverage. For applications where less light intensity is acceptable, the R-60-1 (single ring of 24 LEDs, p/n 010-6060xx) is available. R-60-2 V2 Ring Illuminators are ideal for applications that require cost-effective illumination of diffused surfaces.

MODEL#	DESCRIPTION
010-6050	R-60-2 V2, R LED 0 = ND, 1 = D 0 = 12V-C, 1 = 24V-C, 2 = 24V-S
010-6050	R-60-2 V2, R LED 2 = F 70, 3 = F 102, 4 = F 127 0 = 12V-C, 1 = 24V-C, 2 = 24V-S
010-6050	R-60-2 V2, W LED 0 = ND, 1 = D 3 = 12V-C, 4 = 24V-C, 5 = 24V-S
010-6050	R-60-2 V2, W LED 2 = F 70, 3 = F 102, 4 = F 127 3 = 12V-C, 4 = 24V-C, 5 = 24V-S

Description Key

Example: **R-xx-x, R LED-D, 12V-C**

Family Designation: R = Red, W = White, B = Blue, G = Green, I = Infrared, U = Ultraviolet

Color: R = Red, W = White, B = Blue, G = Green, I = Infrared, U = Ultraviolet

Source: FO = Fiber Optic, FL = Fluorescent, LED = Light Emitting Diode

Voltage (DC): C = Continuous, S = Strobe

Delivery: D = Diffused, ND = Non-Diffused, F = Focussed

Outer Diam. (mm) - # of Rings



MECHANICAL:

OD x ID x H (mm/in.):

61.0 mm x 34.5 mm x 25.4 mm
(2.40 in. x 1.36 in. x 1.0 in.)
(3) M3 X 3.8 mm (0.15 in.) Deep
Black Anodized Aluminum
133 grams (0.29 lbs.)

Mounting:

Housing Material:

Weight:

ENVIRONMENTAL:

Max. Operating Humidity

Operating Temp.

Storage Temp.

95% non-condensing
40° C (104° F)
50° C (122° F)

ILLUMINATION & ELECTRICAL:

Lighting Technique:

Light Aperture:

Light Characteristics:

Ring
34.5 mm (1.36 in.)

Source	Color (nm)	Exp. Life	Voltage/Current (max.)		
			12V-C	24V-C	24V-S
LED	Red + (660)	50k hrs.	168 mA	92 mA	1.6 A pk.
LED	White - 6500 Kelvin	10k hrs.	320 mA	160 mA	3.2 A pk.

CE Conformity:

Yes

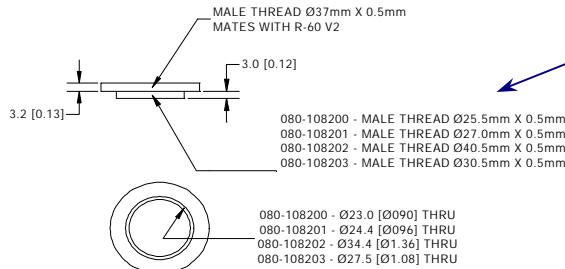
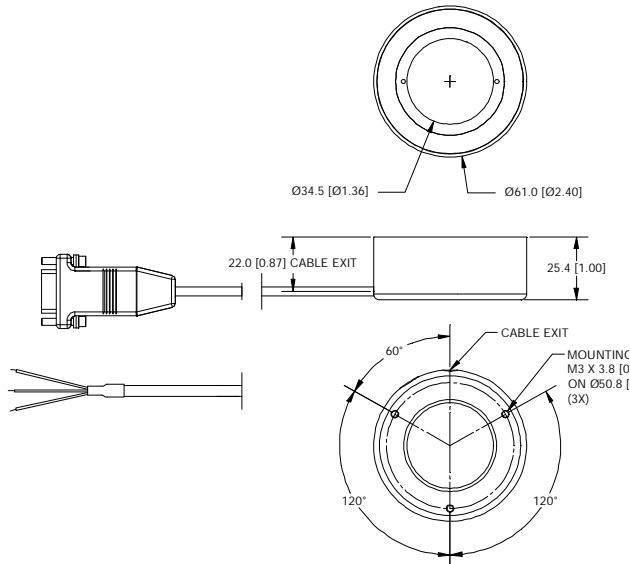
ACCESSORIES:

Part #	Description	Models Used On
010-901900	SCM-2, 2 Channel Strobe Cntrl.	24V-S
010-501402	CPS-24, 24VDC, US cord	24V-S ¹
010-501401	CPS-24, 24VDC, EU cord	24V-S ¹
010-502601	CPS-24T, 24VDC US w/9-pin D-sub	24V-C & 24V-S ^{1,2}
010-502602	CPS-24T, 24VDC EU w/9-pin D-sub	24V-C & 24V-S ^{1,2}
010-500301	CPS-12 3.5A, 12VDC, US Cord	12V-C
010-500303	CPS-12 3.5A, 12VDC, EU Cord	12V-C
010-502700	ICM-1, M/D Intensity Cntrl, 12V-C	12V-C
010-502701	ICM-1, M/D Intensity Cntrl, 24V-C	24V-C ²
010-502702	SCM-1, 1 Channel M/D Strobe Cntrl.	24V-S
010-501200	VPS, Variable, US Cord	12V-C
010-501201	VPS-EU, Variable, EU Cord	12V-C
030-003702	Ext. Cable, Cont., 1.8 M (6 ft.)	12V-C & 24V-C
030-003703	Ext. Cable, Cont., 3.0 M (10 ft.)	12V-C & 24V-C
030-007006	Ext. Cable, Strobe, 1.8 M (6 ft.)	24V-S
030-007010	Ext. Cable, Strobe, 3.0 M (10 ft.)	24V-S
030-006900	Y cable, 2 Lights, 9 pin D-sub Strb.	24V-S
030-003601	Y cable, 2 Lights, 9 pin D-sub Cont.	12V-C & 24V-C
080-xxxxxx	R-60-1 & -2 Lens Adapters	All

¹ 010-50140x used only with 010-901900;

² 010-50260x used with either 010-502702 or 24V-C lights with DB-9 connectors

² 24V-C accessories are not available for "Flying Leads" configurations



CABLES/CONNECTORS:

Connector	Length	Pin#	1	2	3	4	5	6	7	8	9
12V-C Models	9 pin D-sub Male	2.0 M (6.6 ft.)	n/a	n/a	GND	+12VDC	n/a	n/a	n/a	n/a	n/a
24V-S Models	9 pin D-sub Male	2.0 M (6.6 ft.)	V-	n/a	n/a	+24VDC	n/a	n/a	n/a	n/a	n/a
24V-C Models ¹	9 pin D-sub Male ¹	2.0 M (6.6 ft.)	n/a	n/a	n/a	n/a	n/a	n/a	+24VDC	n/a	GND

¹ Note: 24V-C Models w/"Flying Leads" have a 4.5 M (15 ft.) cable with two (2) tinned leads and no connector; leads are labeled GND and V+ (+24VDC)



Products are protected under US Patent #s:
5,461,417; 5,187,611; 5,539,485; 5,301,402;
5,604,550; 5,684,530; 5,713,661

All RVSI/NER Products come with an Industry-Leading 2-Year Warranty

RVSI/NER

15 Twin Bridge Road, Weare, NH 03281 USA

Tel: 603-529-2385

FAX: 603-529-2405

www.nerlite.com