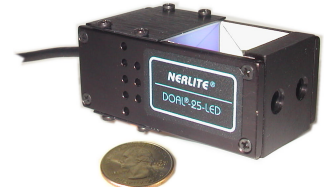


DOAL-25-LED Series products provide diffuse, LED illumination in the same optical path as the camera. DOALs are designed for applications that have flat specular surfaces requiring uniform lighting. With the DOAL, light rays hit the illuminated object at nearly 90°. The result: specular surfaces perpendicular to the camera appear illuminated, while surfaces at an angle to the camera appear dark..



MODEL #	DESCRIPTION
010-201301	DOAL-25, R LED-D, 12V-C
010-201310	DOAL-25, W LED-D, 12V-C
010-201311	DOAL-25, B LED-D, 12V-C

Description Key			
Example: <b>DOAL-xx, R LED-D, 12V-C</b>			
Family Designation	Color	Source	Voltage (DC)
Aperture (mm - approx.)	R = Red W = White B = Blue G = Green I = Infrared U = Ultraviolet	FO = Fiber Optic FL = Fluorescent LED = Light Emitting Diode	C = Continuous S = Strobe
			Delivery: D = Diffused ND = Non-Diffused F = Focussed

### ILLUMINATION & ELECTRICAL:

<b>Lighting Technique:</b>	Diffuse On-Axis
<b>Light Aperture:</b>	25 mm x 25 mm (1 in. x 1 in.)
<b>Field Of View x Stand-Off<sup>1</sup>:</b>	12.5 mm x 12.5 mm (0.5 in. x 0.5 in.)
<b>Light Characteristics:</b>	

Source	Color (nm)	Exp. Life	Voltage/Current (max.)
			12V-C
LED	Red (636)	60k hrs.	100 mA
LED	Blue (470)	10k hrs.	80 mA
LED	White – 6500 Kelvin	10k hrs.	80 mA

<sup>1</sup>Suggested

**CE Conformity:** Yes

### MECHANICAL:

**L x W x H (mm/in.):** 61.8 mm x 31.8 mm x 27.0 mm (2.43 in. x 1.25 in. x 1.06 in.)

**Mounting:** (2) M6

**Housing Material:** Black Anodized Aluminum

**Weight:** 113 grams (4 oz.)

### ENVIRONMENTAL:

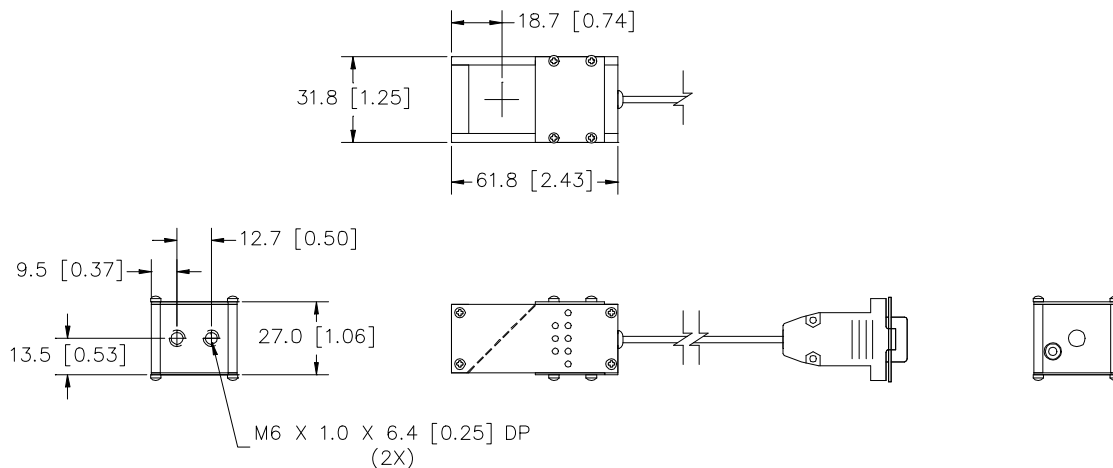
**Max. Operating Humidity:** 95% non-condensing

**Operating Temp.:** 40° C (104° F)

**Storage Temp.:** 50° C (122° F)

### ACCESSORIES:

Part #	Description	Models Used On
010-500301	CPS-12 3.5A, 12VDC, US Cord	12V-C
010-500303	CPS-12 3.5A, 12VDC, EU Cord	12V-C
010-502700	ICM-1, M/D, 12V-C	12V-C
010-501200	VPS, Variable, US Cord	12V-C
010-501201	VPS-EU, Variable, EU Cord	12V-C
030-003700	Ext. Cable, Cont., 1.8 M (6 ft.)	12V-C
030-003701	Ext. Cable, Cont., 3.0 M (10 ft.)	12V-C
030-003601	Y cable, 2 Lights, 9 pin D-sub Cont.	12V-C



### CABLES/CONNECTORS:

Connector	Length	Pin#	1	2	3	4	5	6	7	8	9
12V-C Models	9 pin D-sub Male	0.5 M (18 in.)	n/a	n/a	GND	+12VDC	n/a	n/a	n/a	n/a	n/a



Products are protected under US Patent #'s:  
5,461,417; 5,187,611; 5,539,485; 5,301,402;  
5,604,550; 5,684,530; 5,713,661

**All RVSI/NER Products come with an Industry-Leading 2-Year Warranty**