

The **SCDI®-25, FO**, Square Continuous Difuse Illuminator provides continuous diffuse illumination in the same optical path as the camera. The SCDIs patented design addresses critical applications involving highly specular surfaces. The SCDI is designed to minimize surface textures and elevation changes while providing uniform illumination over the field of view. The SCDI-25, FO, requires a fiber optic light source (NER part # 238-001000 or 238-001100 recommended) and single guide (NER part # 238-000500 recommended).



MODEL #	DESCRIPTION
010-302300	SCDI®-25, FO

Description Key			
Example: <b>SCDI-xx, R LED-D, 12V-C</b>			
Family Designation	Color	Source	Voltage (DC)
Aperture (mm - approx.)	R = Red W = White B = Blue G = Green I = Infrared U = Ultraviolet	FO = Fiber Optic FL = Fluorescent LED = Light Emitting Diode	C = Continuous S = Strobe
			Delivery: D = Diffused ND = Non-Diffused F = Focussed

### ILLUMINATION & ELECTRICAL:

<b>Lighting Technique:</b>	Square Continuous Diffuse
<b>Source Type:</b>	Fiber Optic
<b>Spectrum:</b>	Dependent upon source
<b>Light Aperture:</b>	25 mm x 25 mm (1.0 in. x 1.0 in.)
<b>Field Of View x Stand-Off <sup>1</sup>:</b>	12 mm (0.5 in.) x 12 mm (0.5in.)
<b>Fiber Optic Ferrule:</b>	10 mm (0.393 in.) 1 Leg Bundle

<sup>1</sup> Suggested

### MECHANICAL:

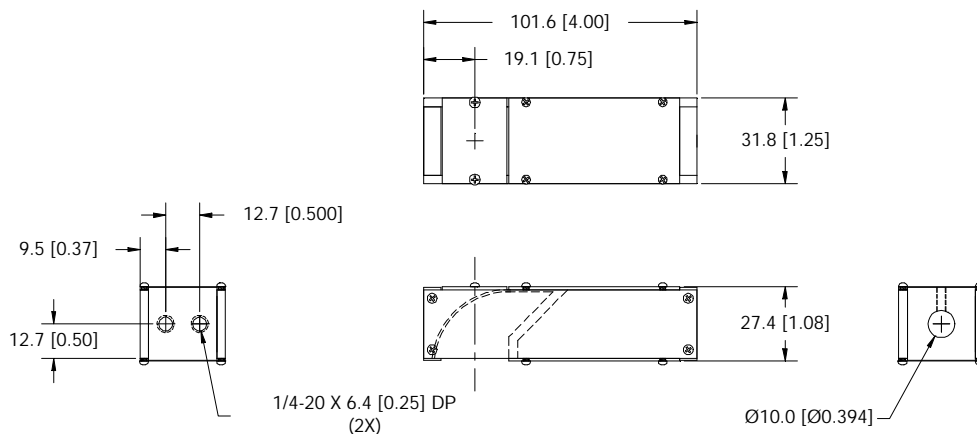
<b>L x W x H (mm/in.):</b>	101.6 mm x 31.8 mm x 27.4 mm (4.00 in. x 1.25 in. x 1.08 in.)
<b>Mounting:</b>	(2) 1/4-20 x 6.4 mm (0.25 in.)
<b>Housing Material:</b>	Black Anodized Aluminum
<b>Weight:</b>	tbd

### ENVIRONMENTAL:

<b>Max. Operating Humidity</b>	95% non-condensing
<b>Operating Temp.</b>	40° C (104° F)
<b>Storage Temp.</b>	50° C (122° F)

### ACCESSORIES:

Part #	Description
238-000500	LG-1 Single guide
238-001000	CS-1, AC Light source
238-001100	CS-2, DC Regulated light source



Products are protected under US Patent #s:  
5,461,417; 5,187,611; 5,539,485; 5,301,402;  
5,604,550; 5,684,530; 5,713,661

**All RVSI/NER Products come with an Industry-Leading 2-Year Warranty**