

PART NUMBER: 010-250401

PRODUCT DESCRIPTION: The CDI-225-FO (Cloudy Day Illuminator®), is ideal for illuminating uneven specular surfaces. The CDI provides outstanding uniformity, up to $\pm 10\%$ maximum deviation within the field of view. The unit requires two fiber optic sources.

ILLUMINATION:

Lighting Technique: Continuous Diffuse
Source Type: Fiber Optic
Spectrum: Source dependent
Light Delivery: Diffused
Light Aperture: 254 mm x 254 mm
 (10 in. x 10 in.)
Suggested Field Of View: 229 mm (9 in.)
Suggested Stand-Off: 30 mm (1.2 in.)

MECHANICAL:

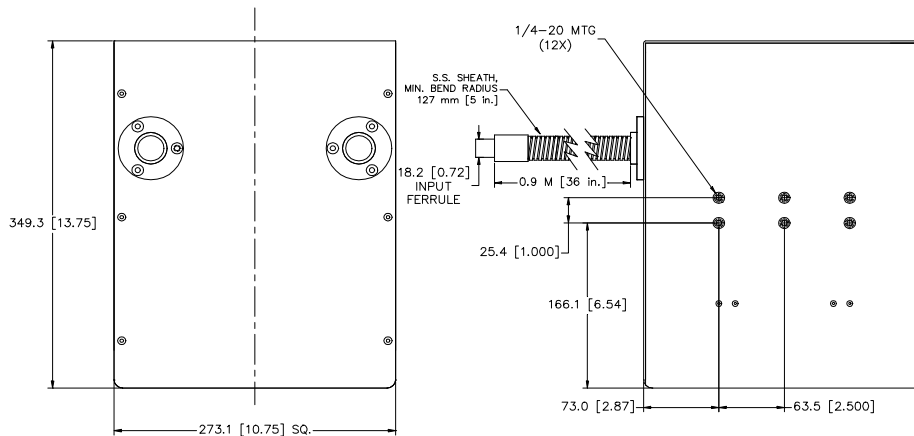
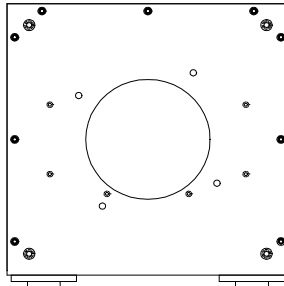
L x W x H: 273.1 mm x 273.1 mm x 349.3 mm
 (10.75 in. x 10.75 in. x 13.75 in.)
Mounting: (12) 1/4-20
Housing Material: Black Anodized Aluminum
Weight: 11.34 kg (25.0 lbs.)
Input Ferrule: (2) 18.2 mm (0.72 in.) diameter
FO Bundle Length: 0.9 M (36.0 in.)

ENVIRONMENTAL:

Max. Operating Humidity: 95% non-condensing
Operating Temp.: 40°C (104°F)
Storage Temp.: 50°C (122°F)

ACCESSORIES:

Part Number	Description
238-001000	CS-1, AC Light source
238-001100	CS-2, DC Regulated light source



Products are protected under US Patent #s; 5,461,417;
 5,187,611; 5,539,485; 5,301,402; 5,604,550;
 5,684,530; 5,713,661

NER Document: CU-010-250401 - Revised: 02/21/02