

NERLITE®

LALL™-22x288 Large Area LED Lights

Description: LALL™-22x288 Large Area LED Lights deliver very high intensity, non-diffused area illumination to flood large (=12" square) areas with light. Their enclosures are designed for NEMA 4X and IP-64 compliance to address applications where equipment wash down is a requirement. LALL-22x288 units are passively cooled (no fans) for quiet, non-disruptive operation. Their side-exit power cable enables end-to-end mounting of multiple units for coverage of very wide fields of view.

Applications: Dark-field (creating shadows and reflection) or bright-field lighting for diffused surfaces; Illumination of large areas for robot guidance; Food processing and packaging; Package sorting; Clean room illumination.

MODEL #	DESCRIPTION
010-654902	LALL-22x288, R LED-ND, CC, w/AMP Connector
010-654903	LALL-22x288, R LED-ND, CC, w/Flying Leads
010-654912	LALL-22x288, W LED-ND, CC, w/AMP Connector
010-654913	LALL-22x288, W LED-ND, CC, w/Flying Leads

Description Key			
Example: LALL-00x00, R LED-ND, CC			
Family Designation	Color	Source	Power Source
Array Size (mm - approx.)	R = Red W = White B = Blue G = Green C = Cyan A = Amber	LED	CC = Current Control
		Light Delivery:	
		D = Diffused ND = Non-Diffused F = Focused	



ILLUMINATION & ELECTRICAL:

Lighting Technique: Area Array
Active Area: 22 mm x 288 mm (0.8 in. x 11.3 in.)

Source	Color (nm)	Exp. Life	Current (max.) ¹	
			Continuous	Strobe
LED	Red (627)	50k hrs.	0.7A ¹	1.0A peak ¹
LED	White - 5500 Kelvin	50k hrs.	0.7A ¹	0.95A peak ¹

¹ Exceeding maximum current voids product warranty

CE Conformity: Yes

MECHANICAL:

L x W x H (mm/in.): 301.6 mm x 70.9 mm x 38.3 mm (11.87 in. x 2.79 in. x 1.51 in.)
Mounting: (2) M6 x 1.0 x 6.4 (.25") deep
Housing Material: Black Anodized Aluminum
Weight: 1.03 kgs. (2.27 lbs.)

ENVIRONMENTAL:

Max. Operating Humidity: 95% non-condensing
Operating Temp. 40° C (104° F)
Storage Temp. 50° C (122° F)

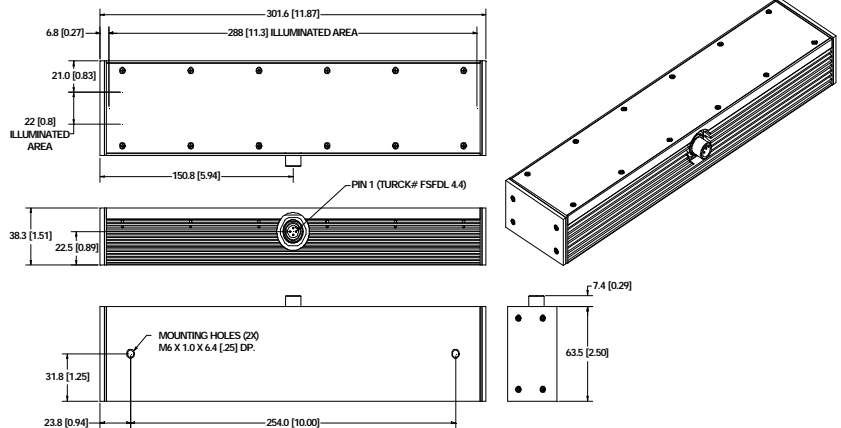
CABLES/CONNECTORS:

Cable #	030-023102 ¹	030-023103 ¹
Length	3.0 M (9.8 ft.)	3.0 M (9.8 ft.)
Connector	AMP 173977-2	n/a, Flying Leads
Pin# 1	V+	n/a
Pin# 2	V-	n/a

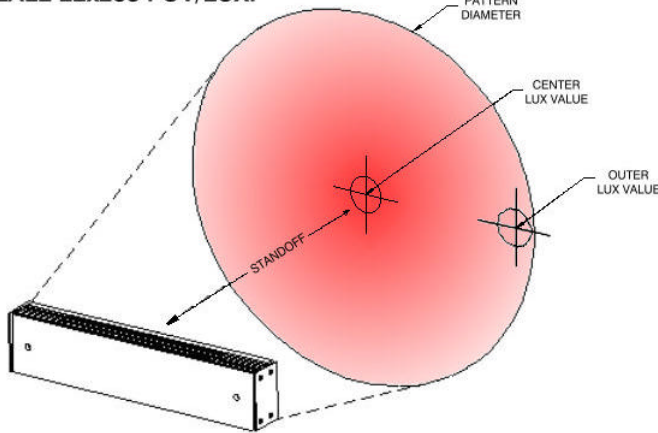
¹ Detachable; supplied with light

INSTALLATION OPTIONS:

Part #	Description	Used on Models
Constant Current Source (Continuous, full-intensity light):		
010-503401	CCPS, 0.7A Constant Current Dvr, 110V, US	w/AMP Connector
010-503403	CCPS, 0.7A Constant Current Dvr, 230V, EU	w/AMP Connector
Lighting Controller (Variable-intensity or strobe light):		
010-503300	PP600 Light Controller	w/Flying Leads
010-503301	PP610 Light Controller w/RS232 port	w/Flying Leads



LALL-22x288 FOV/LUX:



See <http://www.nerlite.com/pdf/techrefs/nerlite-lall-fov-lux-data.pdf> for additional data.

LALL-22X288, White LED Illumination Pattern

Standoff	Pattern Diameter	Lux Value (Center)	Lux Value (Outer)
3'	30"	2250	300
6'	50"	760	160
9'	71"	360	70
12'	91"	220	60

LALL-22X288, Red LED Illumination Pattern

Standoff	Pattern Diameter	Lux Value (Center)	Lux Value (Outer)
3'	32"	2900	600
6'	57"	1150	150
9'	82"	590	70
12'	108"	360	50



Products are protected under US Patent #s:
 5,461,417; 5,187,611; 5,539,485; 5,301,402;
 5,604,550; 5,684,530; 5,713,661

All RVSI/NER Products come with an Industry-Leading 2-Year Warranty

RVSI/NER

15 Twin Bridge Road, Weare, NH 03281 USA

Tel: 603-529-2385

FAX: 603-529-2405

www.nerlite.com